

1945C

Rear Mount



19" CRT Touchmonitor

SPECIFICATIONS

Model		1945C
Case/Bezel color		Metal/black
Display type		FST CRT
Display size	Diagonal	19.0" (48.3 cm)
	Viewable	17.9" (45.6 cm)
Display area dimensions, nominal	Default	13.8" (35.0 cm) H x 10.3" (26.2 cm) V
Monitor dimensions	Width	18.8" (47.7 cm)
	Height (including base)	15.6" (39.6 cm)
	Depth (including base)	17.2" (43.8 cm)
Dimensional drawing number		MS500150 (available at www.elotouch.com)
Highest recommended resolution		1280 x 1024 at 85 Hz
Resolution presets		1600 x 1200 at 75 Hz
		1024 x 768 at 85 Hz
		800 x 600 at 85 Hz (VESA)
		640 x 480 at 60 Hz (VGA)
Dot pitch, nominal		0.26 mm
Video bandwidth		160 MHz (-3 db)
Scanning frequency		Horizontal 30-96 kHz; vertical 50-160 Hz
Input video format		Analog (no proprietary video card needed)
Input video signal connector		Mini D-Sub 15-Pin (female)
Power supply		100-240 VAC, 50-60 Hz
Power dissipation		100 W typical
Temperature		Operating 5°C to 40°C; storage -20°C to 60°C;
Humidity	Operating	20% to 80% noncondensing
Weight (approx.)		Actual 51.0 lb (23.1 kg); shipping 60.0 lb (27.3 kg)
Warranty	Monitor	2 years
	Touch technology	5 years iTouch touchscreen
	Touch controller	5 years
	CRT tube life	12,000 minimum hours to half brightness
Other features		Digital on-screen display (OSD); sealing; ENERGY STAR; VESA DPMS; VESA DDC 1/2 B Plug and Play; ISO 9241; Flexible mounting options on the side, the bottom, and the back

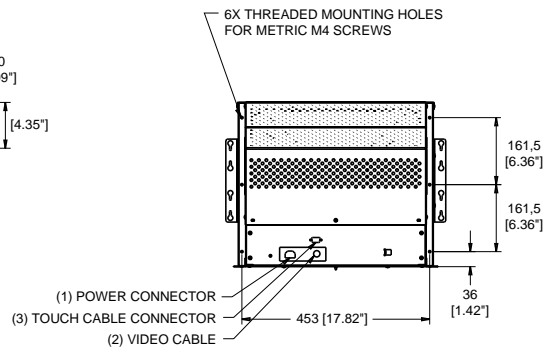
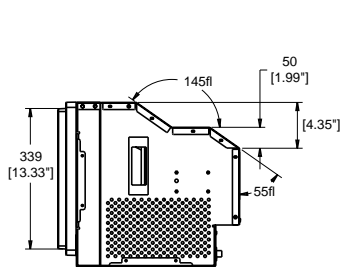
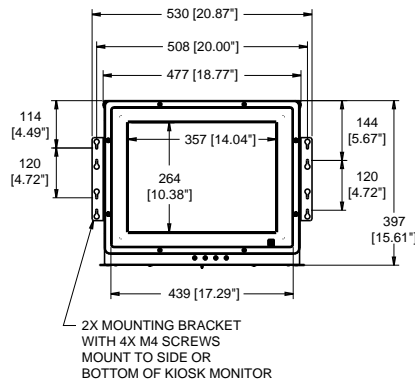
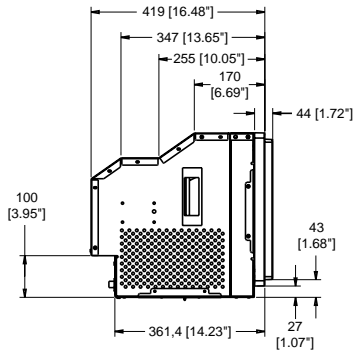
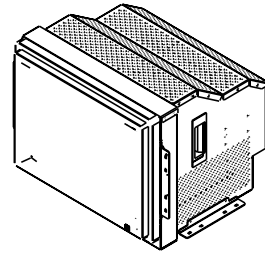
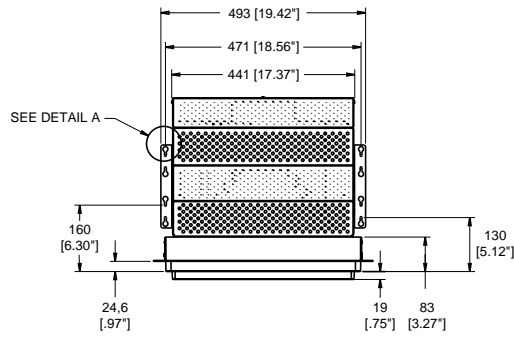
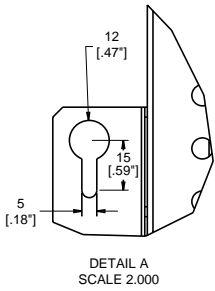
ORDERING INFORMATION

Touch Technology	Touch Interface	Surface Treatment	Elo Part Number	Agency Approvals
iTouch	Serial	Antiglare	459284-000	UR, cUR, FCC, CE, TÜV-Bauart, TCO95, MPR II

- Users should independently evaluate the suitability of the product for their application.
- All prices, models, and availability subject to change without notice.

- Stock quantities may be limited. Larger quantities are available within one week.
- For Product Agency Certifications refer to our Web site.

19" CRT Touchmonitor



19" CRT Touchmonitor

Notes:

1 Power Connector

Connector Blade Left to Right:

Blade	Function/Color
1	AC Line (Brown)
2	Earth Ground (Green)
3	AC Neutral (Blue)

IEC 320 Power Connector
Supplied with 120V Power Cord
Order 220V Power Cord for Europe

2 Video Cable

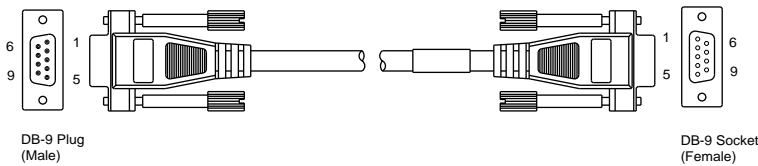
Connector Pin-Out:

Pin #	Signal
1	Red Video
2	Green Video
3	Blue Video
4	Digital Ground
5	Digital Ground
6	Red Video Return
7	Green Video Return
8	Blue Video Return
9	No Pin
10	Digital Ground
11	Digital Ground %%
12	SDA
13	Horizontal Sync
14	Vertical Sync
15	SCL

- Connector Type: Mini D-Sub, 15-Pin Female
- Cable Length: 6' (1829 mm)

3 Touch Cable: P/N 454173-000

- Connector Type: 9 Pin D-Sub, Male to 9 Pin D-Sub, Female
- Cable Length: 6' (1829 mm)



Connector Pin-Out

Pin #	Signal
1	BCD
2	RXD
3	TXD
4	DTR
5	GRD
6	DSR
7	RT3
8	CT3
9	NC

Connection Chart

DB-9 (Male)	DB-9 (Female)
Shell	Shell
1	1
2	2
3	3
4	4
5	5
6	6
7	7
8	8
9	9