

1545C

Rear Mount



15" CRT Touchmonitor

SPECIFICATIONS

Model	1545C	
Display size & type	15" (38.10 cm), 13.8" (34.79 cm) viewable, FST	
Dot pitch	0.28 mm	
Resolution presets	1280 x 1024 at 65 Hz (PC)	
	1024 x 768 at 85 Hz (PC)	
	1024 x 768 at 75 Hz (MAC)	
Operating temperature	5°C to 40°C	
Storage temperature	-40°C to 60°C	
Humidity	operating	5% to 90% RH (non-condensing)
	storage	5% to 95% RH (non-condensing)
Weight (approx.)	actual	29 lbs (13 kg)
	shipping	35 lbs (16 kg)
Display area dimensions	default	10.2" (260 mm) H x 7.7" (195 mm) V
	maximum	10.9" (277 mm) H x 8.2" (208 mm) V
Monitor dimensions	width	14.7" (373.3 mm)
	height	12.08" (307 mm)
	depth	15.54" (396.6 mm)
Dimensional drawing number	MS500105 (Available @ www.elotouch.com)	
Scanning frequency	horizontal	30-69 kHz
	vertical	47.5-125 Hz
Video bandwidth	110 MHz	
Input video power connector	Mini D-Sub 15-Pin (female)	
Elo touchmonitor driver	serial	Compatible with all Elo PCdrivers
	USB	98/2000 USB, WIN2000
Power	90-264 VAC, 50-60 Hz, 75 W (max.)	
External controls	Power, brightness, contrast, H-position, V-position, H-size, V-size, pincushion, trapezoid, parallelogram, rotation, color, temperature, color adjustment, degauss, preset timing, recall	
Warranty	2 years monitor, 5 years touch controller	
Additional features	MPR II, ENERGY STAR, VESA DPMS/NUTEK, VESA DDC 1/2B Plug and Play, ISO9241/3	

ORDERING INFORMATION

iTouch

Touch Technology	Touch Interface	Surface Treatment	Elo Part Number	Agency Approvals
iTouch (touch-on-tube)	USB	Antireflective	103886-000	UR, cUR, FCC, CE, Bauart
iTouch (touch-on-tube)	Serial	Antireflective	109194-000	UR, cUR, FCC, CE, Bauart

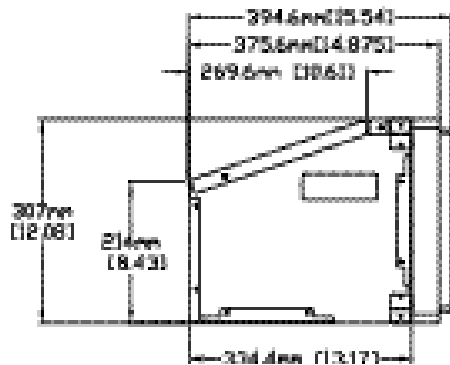
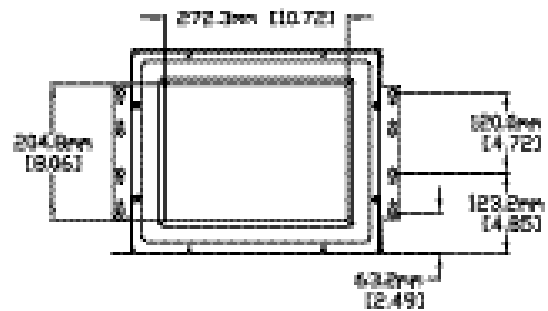
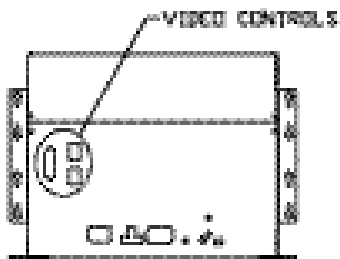
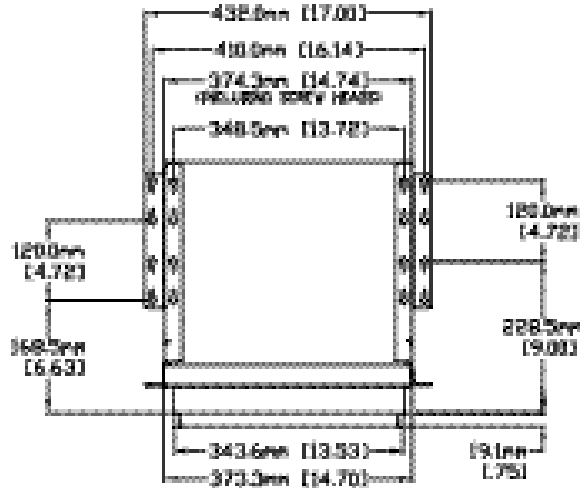
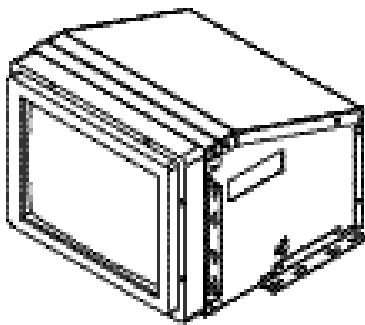
- Users should independently evaluate the suitability of the product for their application.
- All prices, models, and availability subject to change without notice.
- Stock quantities may be limited. Larger quantities are available within one week.
- For Product Agency Certifications refer to our Web site.

entuitive
Touchmonitors

46

15" CRT Touchmonitor

Elo's Entuitive rear-mount CRT touchmonitors are the industry's first sealed touchmonitors specifically designed to be built into kiosk enclosures and light industrial control stations. With a custom-designed metal chassis and a flat front bezel surface, they offer the ideal solution for both environments. The metal chassis keeps the monitor electronics cooler, prolonging the display life. The bezel is sealed to the touchscreen to protect the monitor from splashed liquids, dirt, and dust, and provides a flat surface that's easily sealable with the enclosure.



- Users should independently evaluate the suitability of the product for their application.
- All prices, models, and availability subject to change without notice.
- Stock quantities may be limited. Larger quantities are available within one week.
- For Product Agency Certifications refer to our Web site.